

Casalmaggiore, September 07th 2020**FIA Formula 3 Regional Championships, Technical Bulletin no. 007/20****OBJECT: Pierburg electrovalve final positioning**

With reference to technical bulletin 004/20, we inform Teams that starting from Red Bull Ring event it's mandatory to move the Pierburg E.V. in its final position.

In fig.1, the old installation of the Pierburg E.V. is represented.

Parts with **red** highlighted codes does not need to be used anymore.

Parts with **black** highlighted codes needs to be re-used for the new installation.

Cod.	Q.ty
AM059102	1
AM059173	1
AM500418	2
AM059099	1

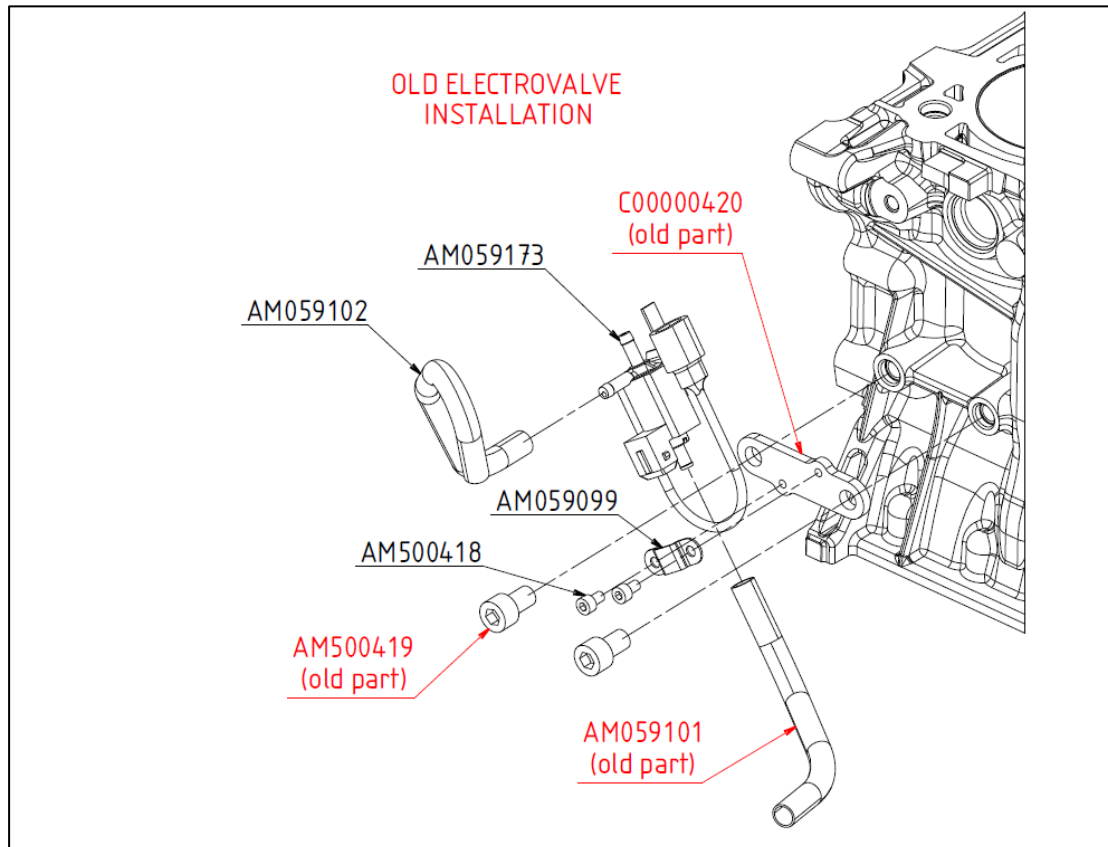


Fig.1: old installation of the Pierburg E.V.

In fig.2, the new installation of the Pierburg E.V. is represented.

Parts with **green** highlighted codes will replace old parts and used for the new installation:

- Cod. 2443013, provided by Tatuus (see Tatuus TB_T318_034);
- Cod. AM059025, provided by ATM. Referring to FREC, already provided in Misano (ref. technical bulletin 004/20).

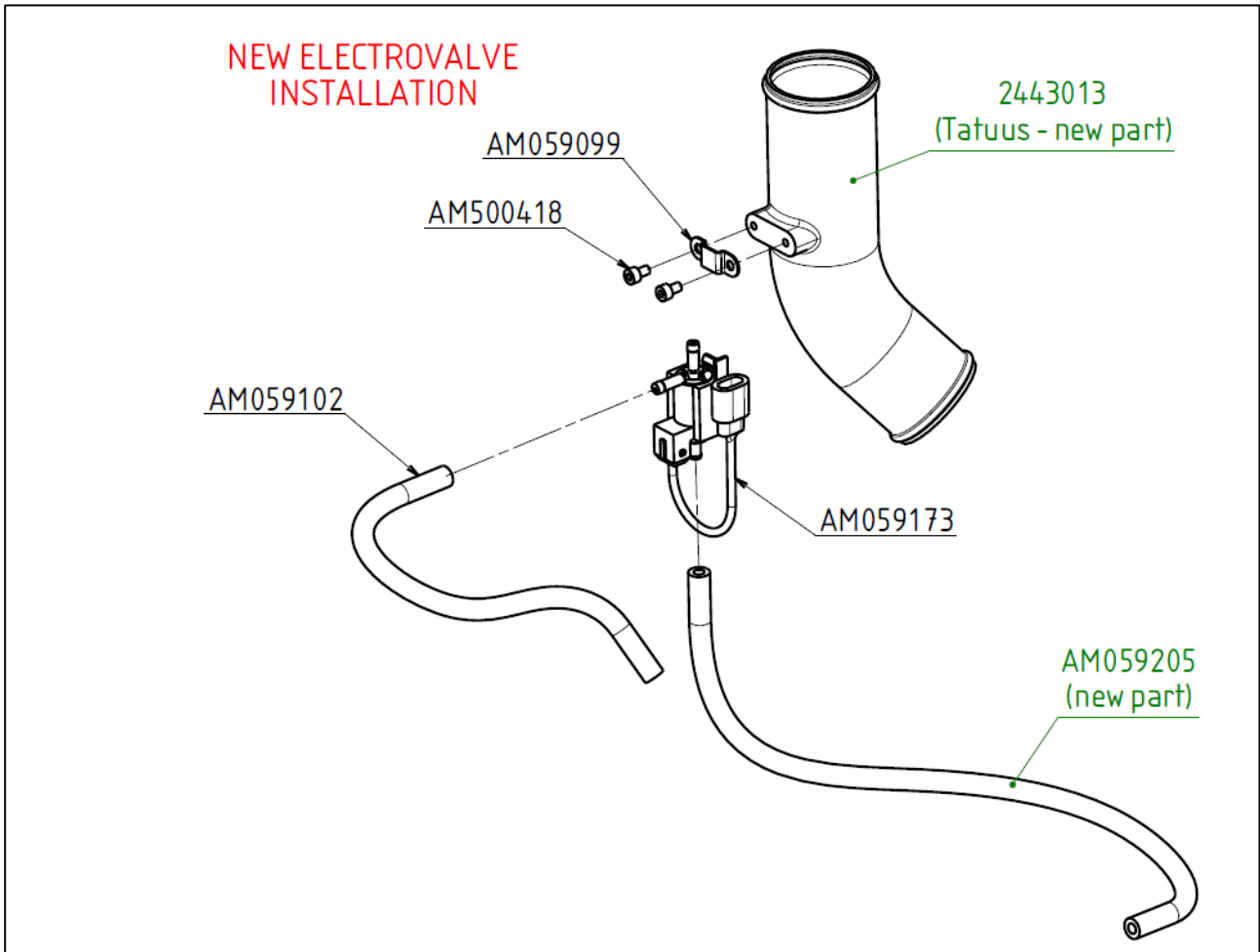


Fig.2: new installation of the Pierburg E.V.