

## TECHNICAL INFORMATION

**Document:** TI\_T318\_032

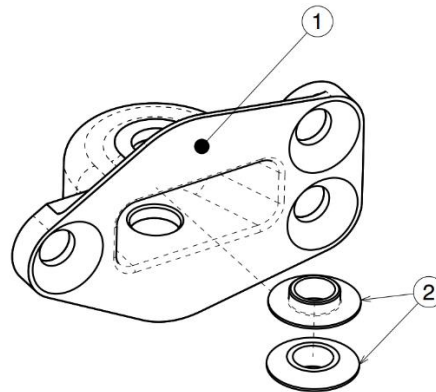
**Date:** 01/09/2020

**Subject:** Hardware check

<b>Reference:</b>	<b>Table</b>	<b>Item</b>	<b>Code</b>
	10-C	03	2410031

**Accomplishment:** Immediate

Please find below an exploded view of the **front lower** wishbone clevis assembly p/n 2410031



*Figure 1*

item	part number	Description
1	2410043 <b>or</b> 2410044	Bare wishbone clevis
2	030205004	ABWT 5 bush

For the bare wishbone clevis (item #1 in Figure 1) different solution have been developed and released.

**Attention: the different solution developed may not be installed in all the front wishbone lower pick-up points.**

Please find in the Table 1 the prescription for the correct installation on the car.

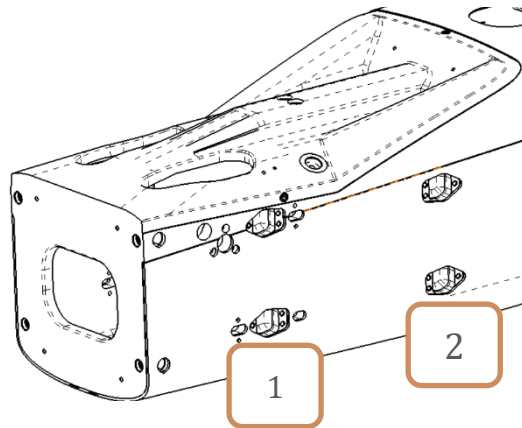


Figure 2

Table 1

	<p>p/n 2410043, rev A</p> <p>Fully machined from solid</p> <table border="1" data-bbox="810 936 1433 1173"> <thead> <tr> <th>Position (see Figure 2)</th> <th>Installation</th> </tr> </thead> <tbody> <tr> <td style="text-align: center;">1</td> <td style="text-align: center;"><b>NOT OK</b></td> </tr> <tr> <td style="text-align: center;">2</td> <td style="text-align: center;"><b>OK</b></td> </tr> </tbody> </table>	Position (see Figure 2)	Installation	1	<b>NOT OK</b>	2	<b>OK</b>
Position (see Figure 2)	Installation						
1	<b>NOT OK</b>						
2	<b>OK</b>						
	<p>p/n 2410043, rev B</p> <p>Micro-casting + machining</p> <table border="1" data-bbox="810 1339 1433 1576"> <thead> <tr> <th>Position (see Figure 2)</th> <th>Installation</th> </tr> </thead> <tbody> <tr> <td style="text-align: center;">1</td> <td style="text-align: center;"><b>OK</b></td> </tr> <tr> <td style="text-align: center;">2</td> <td style="text-align: center;"><b>OK</b></td> </tr> </tbody> </table>	Position (see Figure 2)	Installation	1	<b>OK</b>	2	<b>OK</b>
Position (see Figure 2)	Installation						
1	<b>OK</b>						
2	<b>OK</b>						
	<p>p/n 2410044</p> <p>Micro-casting + machining</p> <table border="1" data-bbox="810 1742 1433 1980"> <thead> <tr> <th>Position (see Figure 2)</th> <th>Installation</th> </tr> </thead> <tbody> <tr> <td style="text-align: center;">1</td> <td style="text-align: center;"><b>OK</b></td> </tr> <tr> <td style="text-align: center;">2</td> <td style="text-align: center;"><b>OK</b></td> </tr> </tbody> </table>	Position (see Figure 2)	Installation	1	<b>OK</b>	2	<b>OK</b>
Position (see Figure 2)	Installation						
1	<b>OK</b>						
2	<b>OK</b>						

Please note that laser marking is referred to the bare clevis part number, not to the assembly.

May teams have in stock some clevis assemblies 2410031 with bare clevis p/n 2410043 rev A, Tatuus is available to swap those parts supplying new spec ones with a 35% discount. This to avoid confusion with p/n 2410043 rev A and rev B, trying to simplify parts management on teams' side

In order to take advantage of the dedicated discount, teams should send the assemblies 2410031 with bare clevis p/n 2410043 rev A to Tatuus. The teams will then be supplied with an equal number of clevises assemblies with special discounted price.

Due to limited part availability on spare parts truck stock, the swap cannot be managed on track.

Attention: the actual technical information is related **only to the front lower wishbone clevises.**