

TECHNICAL BULLETIN

Document:	TB_T014_027_Draft		
Date:	26/04/2021		
Subject:	ADR4 installation		
Reference:	Table	Item	Code
	18F	4 5	161518033 161718038
Accomplishment:	Immediate.		

The present document summarizes the specification for the installation of the EMM ADR4 onboard the Tatuus T014 car.

Please find in the picture below a drawing that shows the actual installation of the EMM microADR on the Tatuus T014 car.

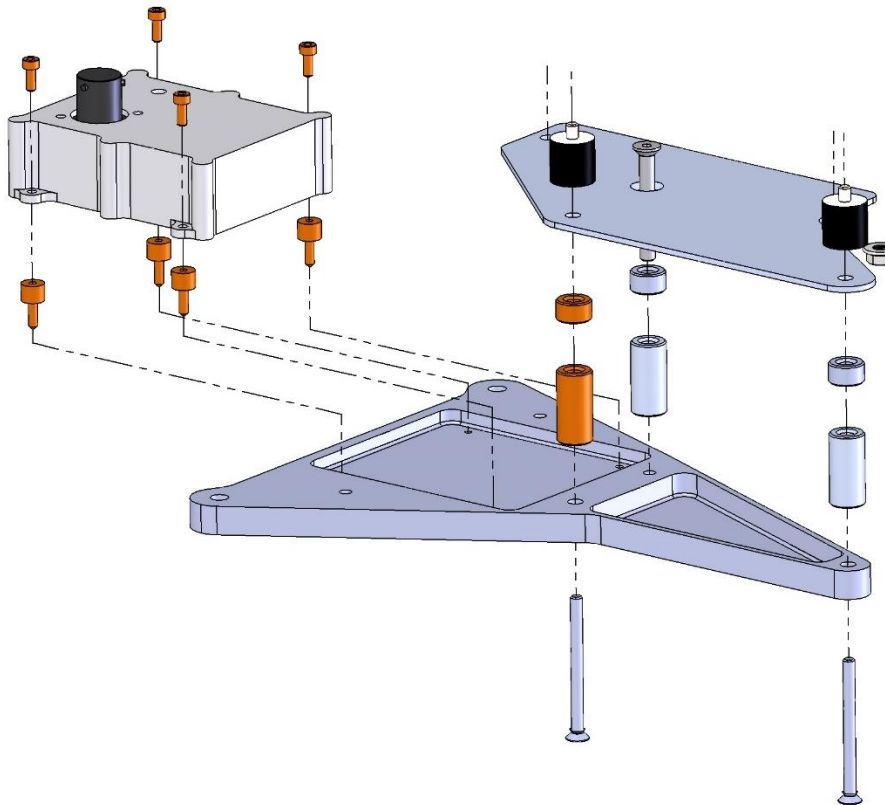


Figure 1

The items shown in orange in the picture above (Figure 1) need to be swapped in order to install the new EMM ADR4

Please find in the Figure 2 below the installation of the EMM ADR4, showing in green the parts replacing the ones shown in orange in Figure 1

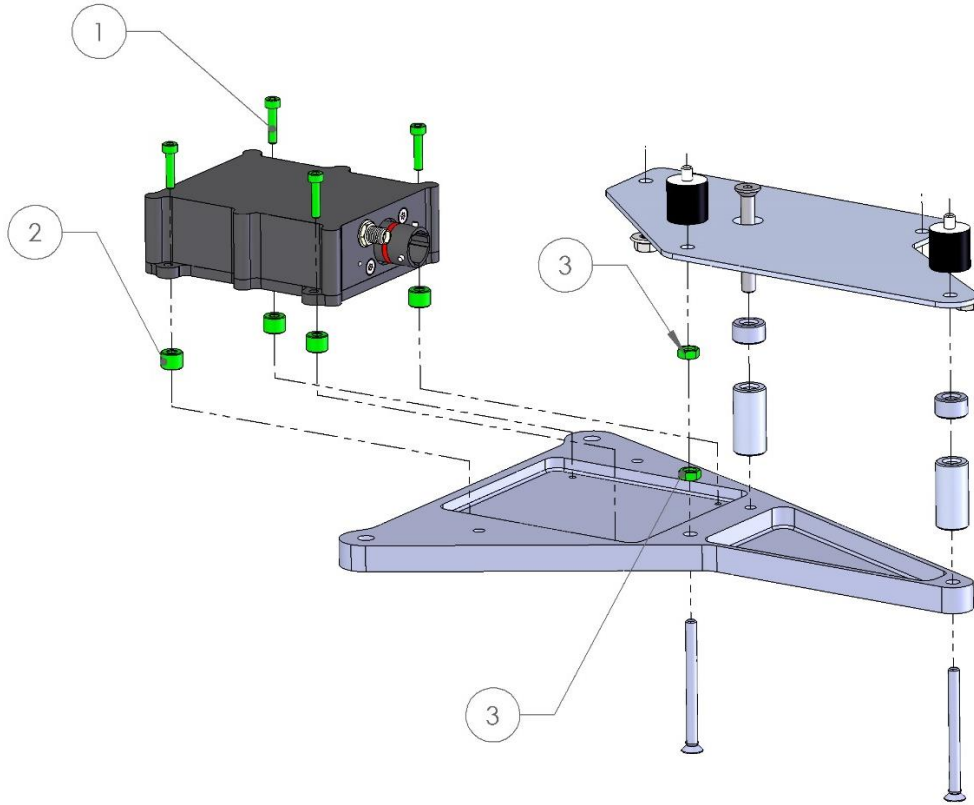


Figure 2

Please note the EMM ADR4 should be installed with the main connector oriented to the rear end of the car.

The parts necessary to be replaced in the actual cars in order to fit the EMM ADR4 are listed in the tables below. Please note the nut indicated with #3 in Figure 2 is an M5 for the cars equipped with AIM EVO4 data logger. If the AIM EVO4S logger is installed, the nuts needed are M4.

Table 1: parts necessary to fit EMM ADR4 on the T-014 actually equipped with AIM EVO4 data logger

item	part number	description	qty
1	UNI5931-M3X14	CH bolt	4
2	2725034	Spacer	4
3	UNI5988-M5	Nut	2

Table 2: parts necessary to fit EMM ADR4 on the T-014 actually equipped with AIM EVO4S data logger

item	part number	description	qty
1	UNI5931-M3X14	CH bolt	4
2	2725034	Spacer	4
3	UNI5988-M4	Nut	2